


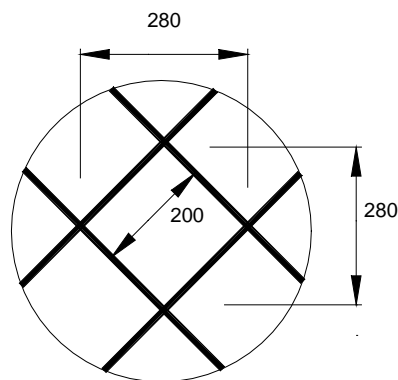
TECHNICAL DATA SHEET

Product Name	 MULTI-CELL®
Reference No:	DS ERSN 0501-09/2013 Rev1
Date of Issue	31 July 2014
Description	A polymeric homogenous sheet bonded to form four-sided cells in a diamond shaped lattice pattern bordered by an external tensioning frame, Patent No. 2003/3945

Mass / panel	Height	75 mm	kg	4.5	SANS 10221
		100 mm		6.5	
		150 mm		9.5	
		200 mm		13.5	
Parent product	Laminated polypropylene slit-film woven tape				SANS 10221
	Thickness	mm	0.65		
Tensile Strength	Parent	Strength	kN/m	26	SANS 10221
		Elongation	%	21	
	Seam	Strength	kN/m	4	
		Elongation	%	12	
Cell size	Side	mm	200 x 200		
	Diagonal		280 x 280		
Panel size	Packaged	mm	450 x 750		
	Expanded		10 000 x 5 000		

The above results represent laboratory averages

Note: special size or height **Multi-Cell®** panels can be made to order.



Kaytech reserves the right to make technical modifications to its products

The information given in Kaytech's documentation is to the best of our knowledge true and correct. However, new research results and practical experience can make revisions necessary. No guarantee or liability can be drawn from the information mentioned herein. Furthermore, it is not Kaytech's intention to violate patents or licenses.